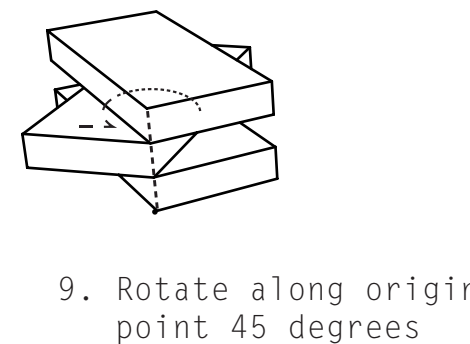
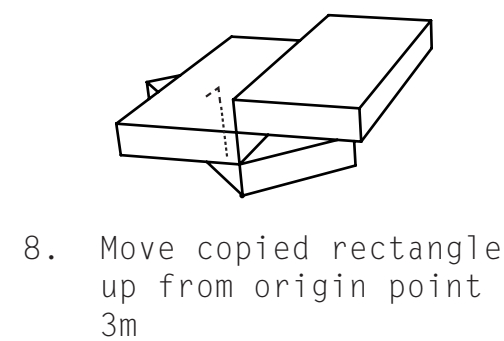
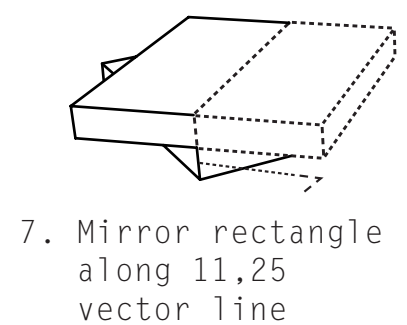
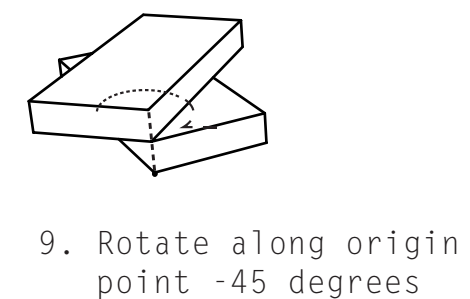
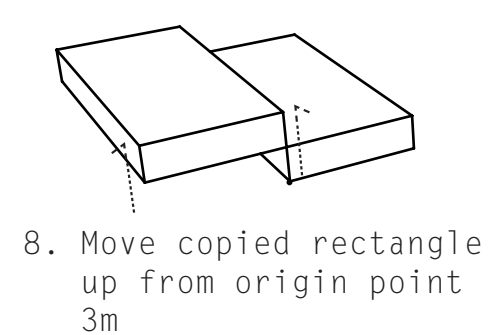
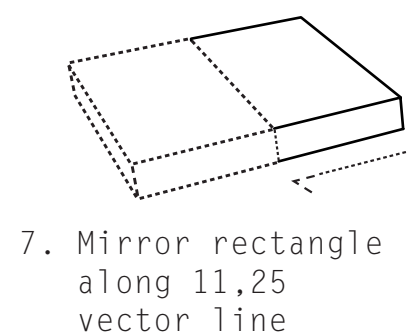
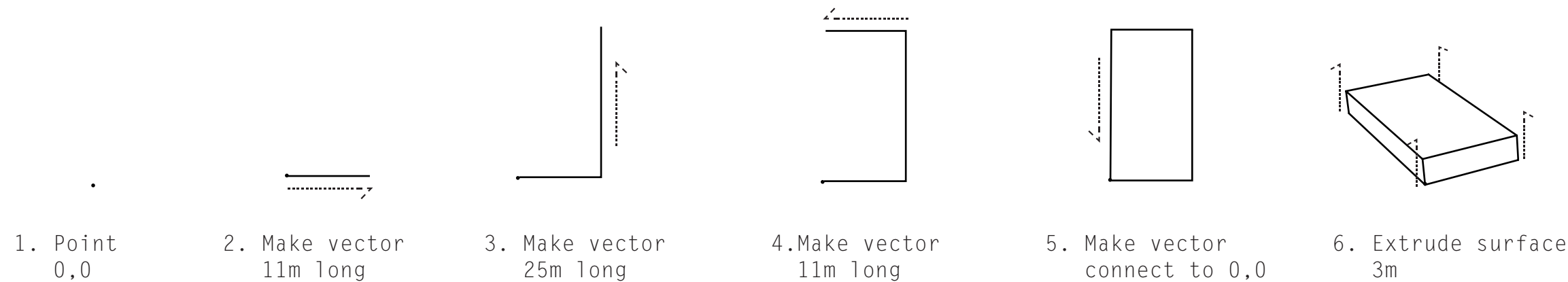


Assignment 6: Part A

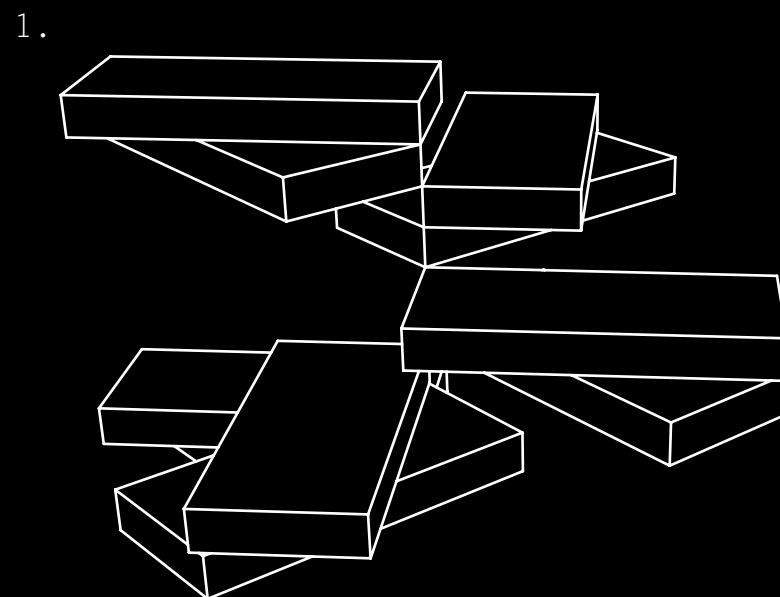
Visual Coding and Algorithmic
Manipulation

Sara Rennie

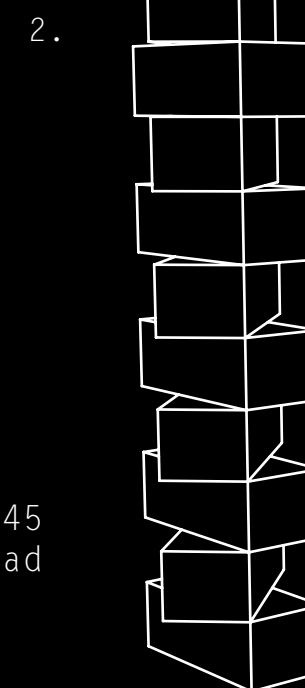


Variations

The major determinants of the geometric outcome of the precedent project are rotation and scale. Diagram one and two were the result of altering scale and rotation in the initial pseudo code



Step 9:
Rotation of -45
degreed instead
of 45 degrees



Step 6:
Extrusion
tripled
original height